

KSG-DM SERIES

3KW-5KW

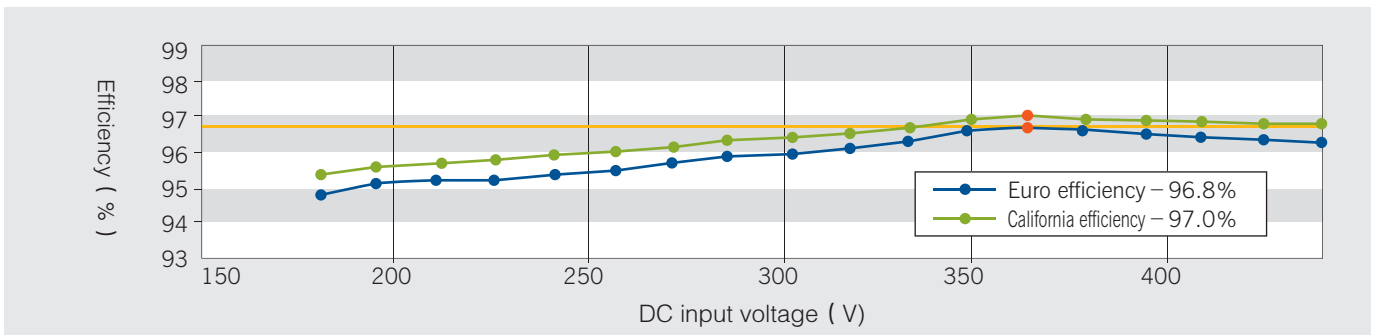


- Transformer-less design and compact in size
- IP65 protection class
- Double MPPT design for application demands
- Firmware is upgradable via RS232 port
- Optional DC switch available
- Comply with latest VDE AR N4105 standard
- MPPT efficiency > 99.9%
- Maximum efficiency > 97.6%
- Mimic LCD display
- Versatile communication interface options, standard RS485 port and external WiFi & Ethernet devices
- Monitoring software provided offers operational status and electricity generated data

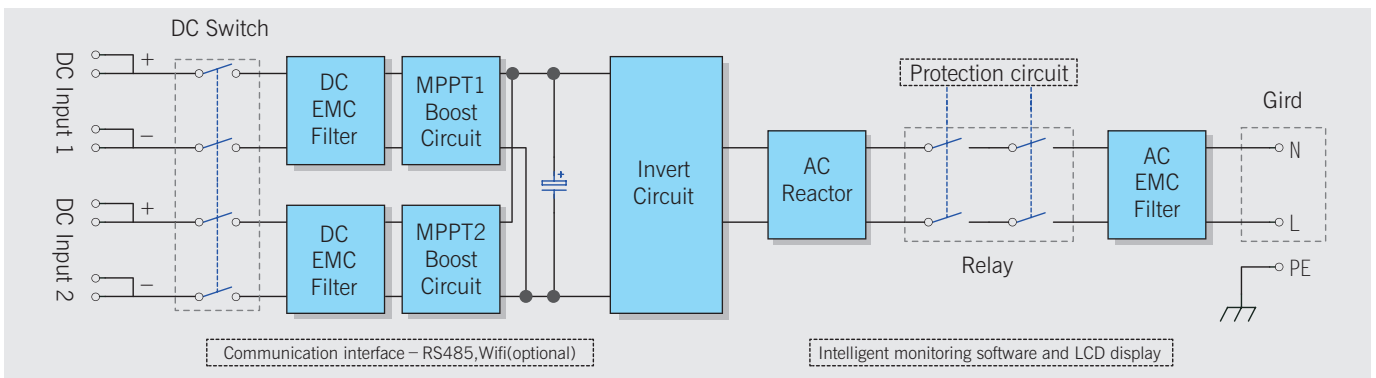


CE、TUV (VDE 4105/VDE 0126)、SAA、G59、C10/11

Efficiency curve



Circuit diagram



KSG-DM Series Technical Specifications

MODEL	KSG-3K-DM	KSG-3.6K-DM	KSG-4.2K-DM	KSG-5K-DM
INPUT				
Max. DC input power	3300W	4000W	4600W	5500W
Max. DC input voltage	600Vdc			
MPPT tracking voltage range	150~500Vdc (Rated voltage 360Vdc)			
Number of MPPT tracking	2			
Max. input current for each tracking	9A×2	11A×2	13A×2	15A×2
OUTPUT				
Rated output power	3000W	3600W	4200W	5000W
Max. AC output power	3100W	3700W	4300W	5100W
Rated output voltage	230Vac			
Output voltage range	184~276Vac			
Grid frequency range	50/60Hz(±5Hz), (adjustable)			
Rated output current	13A	15.6A	18.3A	21.7A
Max. output current	15A	18A	21A	24A
Power factor (cosΦ)	0.9 leading-0.9 lagging			
Total harmonic current distortion(THDi)	<3%			
SYSTEM FEATURES				
Max. efficiency	>97.4%	>97.4%	>97.5%	>97.6%
Euro efficiency	>96.6%	>96.7%	>96.8%	>96.8%
MPPT efficiency	>99.9%			
Standby (night time) losses	<0.2W			
DC switch	Optional			
Communication interface	RS485 standard, external WiFi or Ethernet (optional)			
ENVIRONMENTAL				
Operating temperature	-20°C~60°C			
Humidity range	0~95% (non-condensing)			
Altitude	2000m			
Noise level	<25dB (1 meter from surface)			
Protection rating	IP65			
PHYSICAL				
Dimension W×D×H (mm)	395×180×637			
Shipping weight (kg)	23.5		25.8	
STANDARDS				
Safety	IEC/EN62109-1,IEC/EN62109-2,VDE0126-1-1, VDE AR N4105, G83/56/EEG2012, AS3100/4777,CEI 0-21, CNCA/CTS0006:2010,CNCA/CTS0004:2009A,NB/T 32004-2013,etc			
EMC	EN61000-6-2, EN61000-6-3,etc			

Specifications subject to change without prior notice.