

KSG-SM SERIES

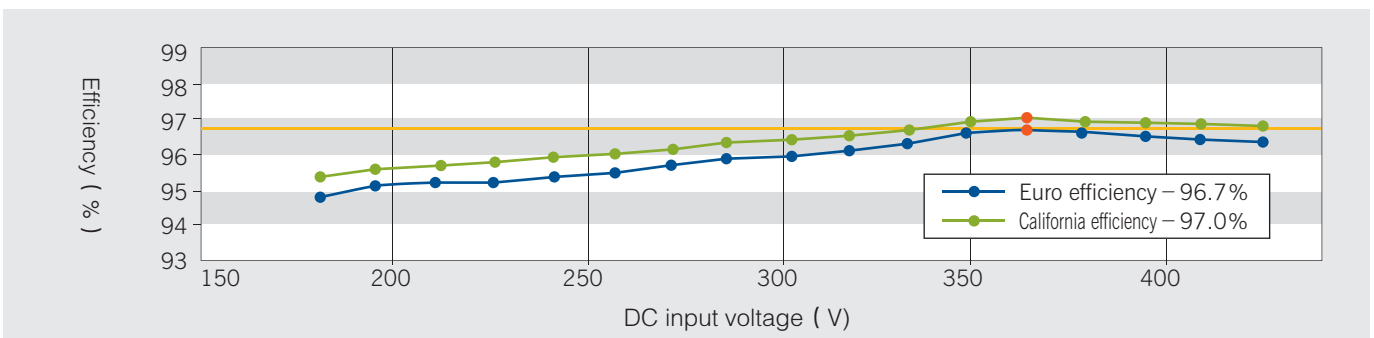
1.5KW-3.6KW

- Transformer-less design and compact in size
- IP65 protection class
- Firmware is upgradable via RS232 port
- Optional DC switch available
- Comply with latest VDE AR N4105 standard
- MPPT efficiency > 99.9%
- Maximum efficiency > 97.6%
- Mimic LCD display
- Versatile communication interface options, standard RS485 port and external WiFi & Ethernet devices
- Monitoring software offers operational status and electricity generated data

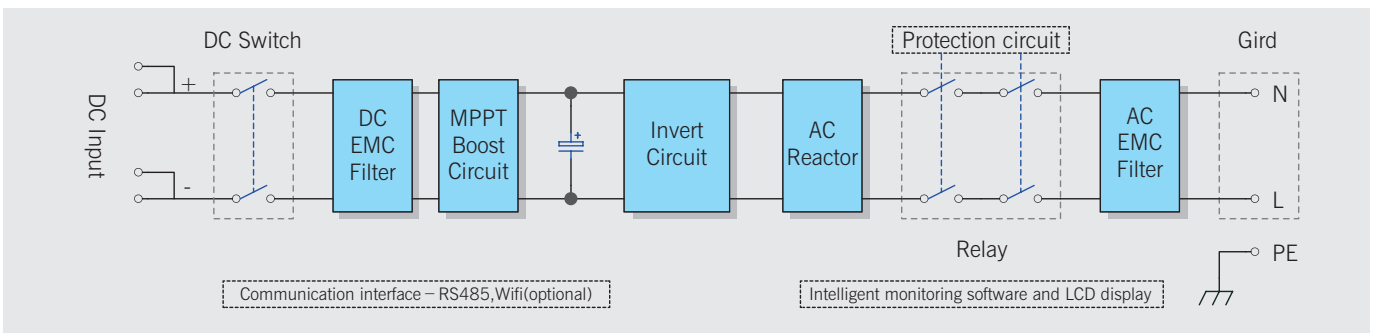


CE, TUV (VDE 4105/VDE 0126) 、SAA、G83、C10/11

Efficiency curve



Circuit diagram



KSG-SM Series Technical Specifications

MODEL	KSG-1.5K-SM	KSG-2K-SM	KSG-3K-SM	KSG-3.6K-SM
INPUT				
Max. DC input power	1800W	2400W	3300W	4000W
Max. DC input voltage	500Vdc			
MPPT tracking voltage range	150~450Vdc (Rated voltage 360Vdc)			
Number of MPPT tracking	1			
Max. input current for each tracking	9A	11A	17A	20A
OUTPUT				
Rated output power	1500W	2000W	3000W	3600W
Max. AC output power	1650W	2200W	3100W	3700W
Rated output voltage	230Vac			
Output voltage range	184~276Vac			
Grid frequency range	50/60Hz(±5Hz), (adjustable)			
Rated output current	6.5A	8.7A	13A	15.6A
Max. output current	9A	11A	15A	18A
Power factor (cosΦ)	1			
Total harmonic current distortion(THDi)	<3%			
SYSTEM FEATURES				
Max. efficiency	>96.3%	>96.9%	>97.5%	>97.6%
Euro efficiency	>96.0%	>96.0%	>96.5%	>96.7%
MPPT efficiency	>99.9%			
Standby (night time) losses	<0.2W			
DC switch	Optional			
Communication interface	RS485 standard, external WiFi or Ethernet (optional)			
ENVIRONMENTAL				
Operating temperature	-20°C~60°C			
Humidity range	0~95% (non-condensing)			
Altitude	2000m			
Noise level	<25dB (1 meter from surface)			
Protection rating	IP65			
PHYSICAL				
Dimension W×D×H (mm)	335×170×580			
Shipping weight (kg)	15.8		18.2	
STANDARDS				
Safety	IEC/EN62109-1,IEC/EN62109-2,VDE0126-1-1, VDE AR N4105, G83/59/EEG2012, AS3100/4777,CEI 0-21,CNCA/CTS0006:2010,CNCA/CTS0004:2009A,NB/T 32004-2013,etc			
EMC	EN61000-6-2, EN61000-6-3,etc			

Specifications subject to change without prior notice.