

MAXPRO®

Quality shows itself

UNINTERRUPTIBLE POWER SUPPLIES

DX-Sine UPS

Built-in Voltage Stabilizer

KEY FEATURES :

- Microprocessor Controlled Sine wave UPS
- Built-in Voltage Stabilizer
- Wide Input Voltage Window
- Fast Transfer Time
- Protects Against Under & Over Voltage
- Electronic Over-Load Protection
- PWM Dual Charger 8A / 15A
- Battery Charging During OFF Mode
- Battery Status LED Display & Alarm
- Versatile Design with Battery Connector
- Intelligent Fan Cooling
- Excellent Efficiency, Low Operating Cost
- Phosphated, Powder Coated Housing
- Low Maintenance & Long Life Design
- Photo-coupled RS-232 Communication Port

USE FOR POWERING :

- Computer and Accessories
- Industrial Control Equipment
- Audio and Video Devices
- Medical Lab Equipment
- Fax, Telex & Telephone System
- Cable Networks
- Small Business Servers
- Solar or Wind Power
- Security System
- Shopping Stores
- School and Hospital
- Mobile Phone Accessories
- Light, Fan & Other Appliances

MODEL DX-SINE :

- 1000 1500 2000 3000 5000 6000



MICRO
PROCESSOR

DIGITAL
SINE WAVE

VOLTAGE
STABILIZER

15A - DUAL
CHARGER

FAN
COOLING

BATTERY
CONNECTOR

BATTERY
DISPLAY

ENERGY
EFFICIENT

FAST
TRANSFER
TIME

1 YEAR
TRUE
WARRANTY

AFTER
SALES
SERVICE

10-YEARS
LIFE

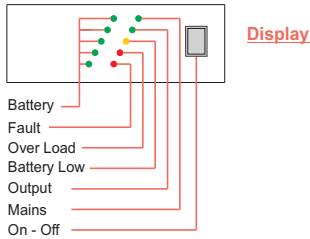
Versatile - Affordable - Rugged - Reliable

www.maxpro.com.pk

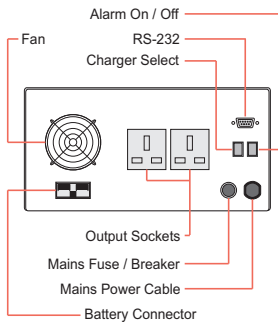
Proven European Technology

MAXPRO[®]

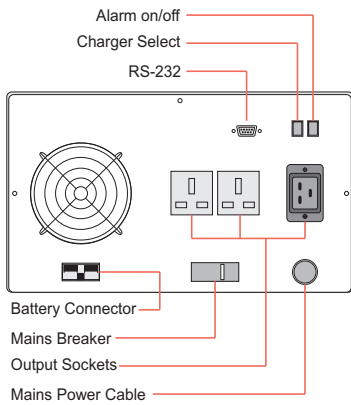
Registered Trade Mark of SWITCHMODE



Rear Panel 1000VA - 3000VA



Rear Panel 5000VA - 6000VA



Battery Connector



LINE-INTERACTIVE DIGITAL SINE WAVE UPS TECHNICAL SPECIFICATIONS

MODEL	DX - SINE	1000	1500	2000	3000	5000	6000
TECHNOLOGY		Line-Interactive Digital Sine Wave					
INPUT	Stabilizer (AVR)	High Accuracy Stabilizer Built-in					
	Voltage	150VAC to 270VAC					
	Frequency	50Hz ±2Hz					
OUTPUT	Voltage During Mains Mode	220VAC ±7% During Mains 160V - 267V					
	Voltage During Battery Mode	220VAC ±5%					
	Frequency During Mains Mode	As Mains					
	Frequency During Battery Mode	50Hz ±0.5%					
	Wave Form	Digital Sine Wave					
	Active Power (W) 100%	600W	900W	1200W	1800W	3000W	3600W
	Over Load	110% Shutdown after 30-Seconds, 120% Shutdown after 5 Seconds					
TRANSFER TIME	Mains to Inverter	2 - 4 ms					
	Inverter to Mains	1 - 2 ms					
BATTERY	Type	Flooded Lead Acid, Sealed Maintenance Free Battery / Cell					
	Capacity	50Ah or Above					
	Quantity / Total DC Voltage	1 / 12V	2 / 24V	2 / 24V	4 / 48V	4 / 48V 8 / 96V	4 / 48V 8 / 96V
CHARGER	Current	8A & 15A Selectable (External Charger Optional If Additional Current Required)					
	Recharge Time	Depends on Battery Type, Depth of Discharge & Available Charging Duration					
	Maintenance	For Flooded Lead Acid Battery Use Only Distilled Water					
	Life	Depends on Quality, Temperature, Depth of Discharge, Charge & Discharge Cycles					
AUDIBLE ALARM	Battery Mode	Beep After Every 1 Minute					
	Battery Low / Very Low	Beep After Every 10 / 2 Seconds					
	Over Load / Fault	Continuous Beep					
INDICATION	Status LED & Battery Bar Graph	5 LED Battery Capacity Bar Graph & 5 LED Other Status					
GENERALS	Operating Temperature	0 - 40° C					
	Relative Humidity	0 - 90% Non Condensing					
	Operating Altitude	1500 Meter Above Sea Level					
	Life	Maximum 10 Years of Service Life if Temperature & Humidity as per Specified					
INTERFACE	Photo-Coupled RS-232 Port	RUPS 2000 Monitoring Software (Optional)					
DIMENSIONS	W x H x D mm	260 x 145 x 340	260 x 145 x 340	335 x 175 x 380	335 x 175 x 380	335 x 210 x 420	335 x 210 x 420
WEIGHT	Net Weight	12.00Kg	14.00Kg	19.00Kg	23.00Kg	30.00Kg	37.00Kg

- ▶ Specifications subject to change without prior notice
- ▶ True One Year Warranty against workmanship defects only

PRODUCT RANGE

- ▶ Single & Three Phase Uninterruptible Power Supplies
- ▶ Single & Three Phase Sine-PWM Voltage Stabilizers / Line Conditioners 1 - 1000KVA
- ▶ Source / Static Transfer Switch (S.T.S.)
- ▶ Battery Charger
- ▶ Photovoltaic Hybrid PWM Charger & Inverter
- ▶ Electronic Load Controller for Hydro Turbines (E.L.C.)
- ▶ OPzS Tubular & Sealed Maintenance Free Batteries
- ▶ Electronic PF1, Fluorescent & HPS Ballast

SWITCHMODE

Block # 9, 2nd Floor Mian Chambers 3-Temple Road Lahore. Pakistan.

Phone: +92-42-36367216
+92-42-36301795

Fax: +92-42-36301794
www.switchmode.com.pk