

## LED HiBay -100W

CE RoHS

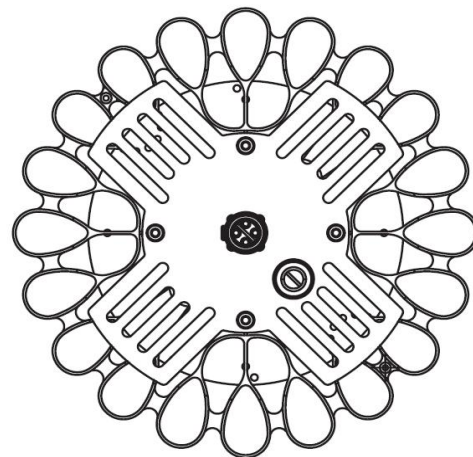
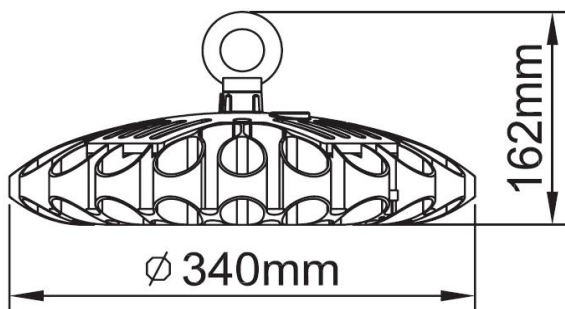


### Features

- ◆ Saves up to 80% in energy consumption compared to metal halide lamp
- ◆ Reliable LED chip with high lumen efficiency
- ◆ Perfect for applications with frequent "on/off" switching cycles
- ◆ Instant on, flicker free ,no noise, no UV rays
- ◆ Mercury-free and RoHS compliant
- ◆ Overpower, short and open circuit protected
- ◆ Comply with CE,FCC UL and TUV standards



### Dimension



# Technical Specifications

\*\*\*All data is under 25°C, unless otherwise specified.\*\*\*

## Physical Characteristics

Housing Materials	Plastic ,Aluminum heatsink inside
Lens/cover	Clear
Base Type	Pothook
Weight (Net)	3.6kg
Driver	Internal (MEAN WELL HLG-100H-36A)
Work Environment	IP65

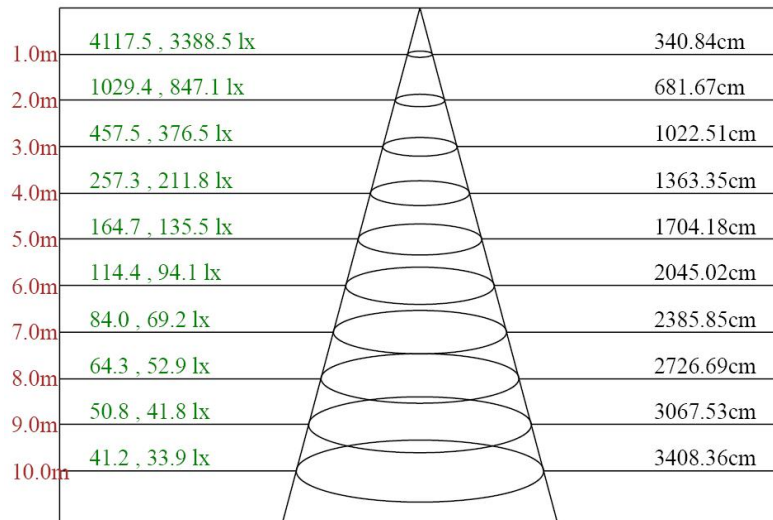
## Electrical Characteristics

Item	Unit	Min.	Typ.	Max.
Power consumption	watts	90	100	110
Input voltage range	V	85	-	277
Input current range	mA	370	-	1170
Input frequency range	Hz	47		63
Power factor	/	0.9	0.95	1
THD(%)	/	7.7@100Vac	11.3@220Vac	14.2@277Vac
Operation temperature range	°C	-20	-	45
Storage temperature range	°C	-20	-	60
Dimming function	Optional			

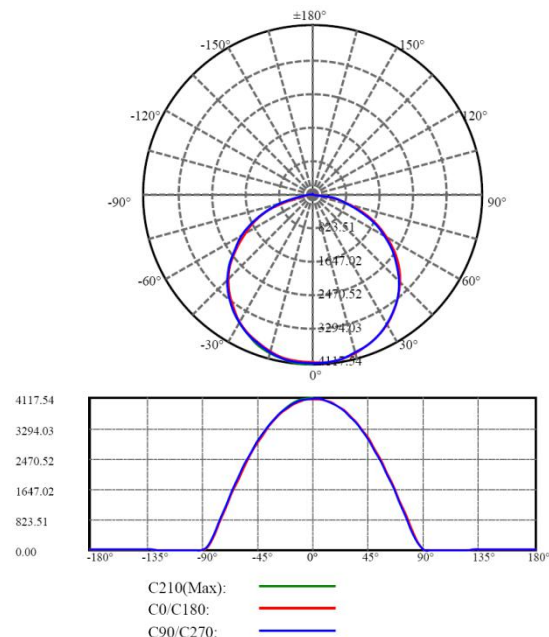
## Optical Characteristics

Item	Unit	Min.	Typ.	Max.
Lumens output ( initial )	lm	12000	13000	14000
Luminous efficiency	/	120	130	140
Color rendering index (CRI)	/	80	85	90
Correlated color temperature (CCT)	Kelvin	Warm white	2700/3000/3500	
		Natural white	4000/4500/5000	
		Cool white	5700/6500	
Beam angle	180 degree			
LED chip	3030			
Dielectric strength	>3000Vac/50Hz 5sec between live contacts and metal parts			

## Photometric data [Unit: cd]



Max , Ave Beam angle of C210plane119.09



Construct profile:

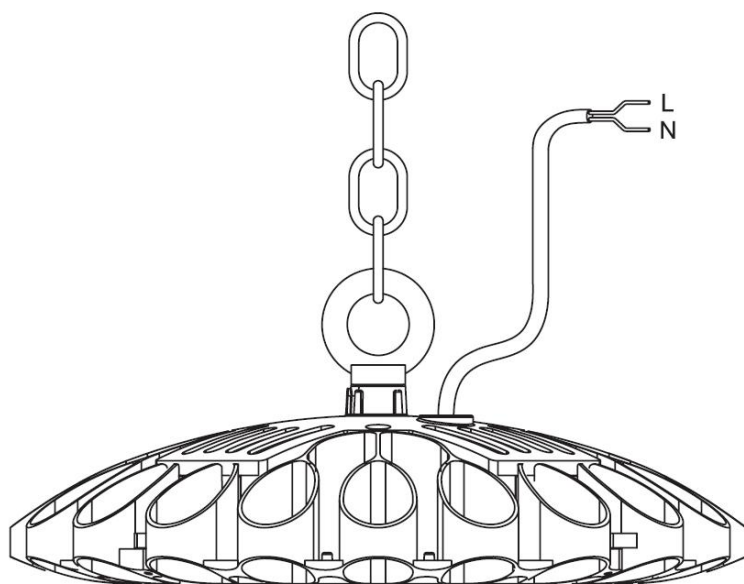


- A . PC cover
- B . Waterproof sealer
- C . LED chip
- D . PCB
- E . Aluminum heatsink
- F . LED driver
- G . Aluminum cover
- H . Pothook

Available Products

Model number	
HB-80U-Wxx <sup>1</sup>	high bay light,80W,Internal driver AC85-277V,50/60Hz, 3030 chip
HB-100U-Wxx <sup>1</sup>	high bay light,100W,Internal driver AC85-277V,50/60Hz, 3030 chip
HB-120U-Wxx <sup>1</sup>	high bay light,120W,Internal driver AC85-277V,50/60Hz, 3030 chip
HB-150U-Wxx <sup>1</sup>	high bay light,150W,Internal driver AC85-277V,50/60Hz, 3030 chip
HB-180U-Wxx <sup>1</sup>	high bay light,180W,Internal driver AC85-277V,50/60Hz, 3030 chip
HB-240U-Wxx <sup>1</sup>	high bay light,240W,Internal driver AC85-277V,50/60Hz, 3030 chip

Note 1 – Color temperature ,available - W27:2700K, W30:3000K, W40:4000K, W45:4500K, W50:5000K, W57:5700K, W65:6500K



## Packing information

Carton size :370x370x180mm

Quantity per carton : 1 pc

Net weight : 3.6kg per carton

Gross weight : 4.3kg

